

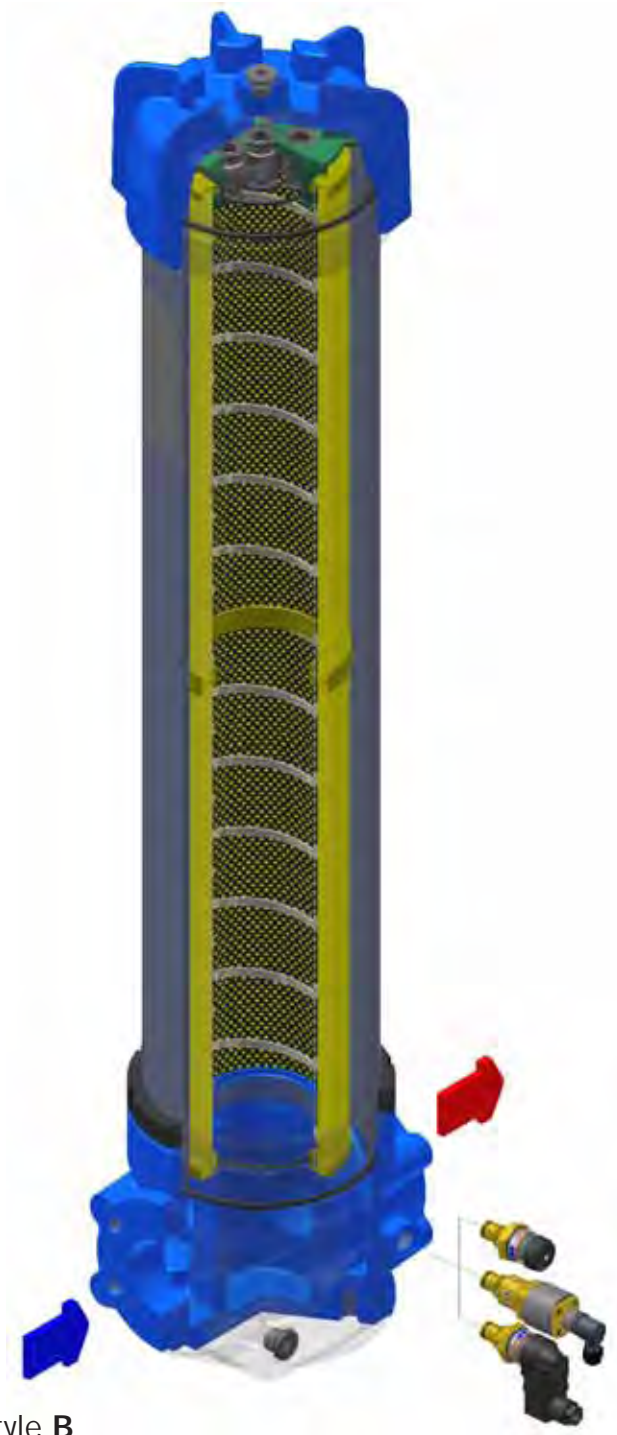
# LMP 950-951



# LMP

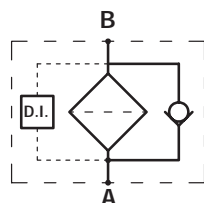
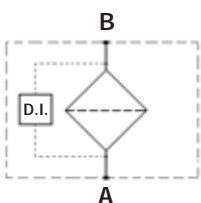
SERIES  
**950-951**

*Working pressure  
30 bar*



Style S

Style B



# Technical data

## Filter housing (Materials)

- Head: Anodised Aluminium
- Housing: Anodised Aluminium
- Bypass valve: Anodised Aluminium

## Pressure

- Working pressure: 30 bar (3 MPa)
- Test pressure: 45 bar (4.5 MPa)
- Burst pressure: 120 bar (12 MPa)
- Pulsed pressure fatigue test: 1.000.000 cycles with pressure from 0 to 30 bar (3 MPa)

## Temperature

- From -25°C to +110°C

## Bypass valve

- Opening pressure 3.5 bar  $\pm$ 10%
- Other opening pressures on request.

## $\Delta p$ filter elements

- Series N and W elements: 20 bar
- Oil flow from exterior to interior.

## Seals

- Standard NBR series A
- Optional FPM series V

## Weights (kg)

### Length

- LMP950 -2 25.1
- LMP950 -3 33.5

## Volumes (dm<sup>3</sup>)

### Length

- LMP950 -2 15
- LMP950 -3 28

## Connections

- In-line Inlet/Outlet LMP 950
- 90° Inlet/Outlet LMP 951

## Compatibility

- Housings compatible with:  
Mineral oils to ISO 2943 - aqueous emulsions  
synthetic fluids, water and glycol.

- The filter elements are compatible with:  
Mineral oils to ISO 2943, Synthetic fluids  
Aqueous emulsions, water and glycol ((series W required).
- NBR seals series A, compatible with:  
Mineral oils to ISO 2943 - aqueous emulsions  
synthetic fluids, water and glycol.
- V series FPM seals, compatible with:  
Synthetic fluids type HS-HFDR-HFDS-HFDU  
To ISO 2943

## Filter Element Area

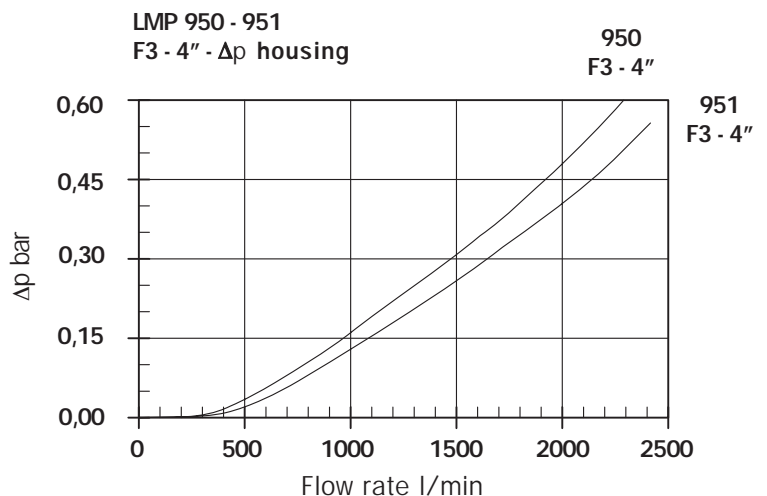
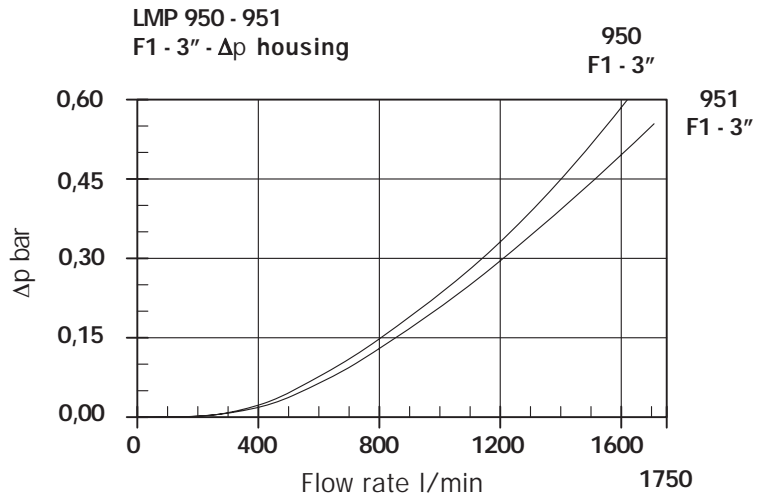
Filter element in stainless steel mesh  
Length

Type	2	3
CU 950	10950	25100
Values expressed in cm <sup>2</sup>		

## Filter housing $\Delta p$ pressure drop

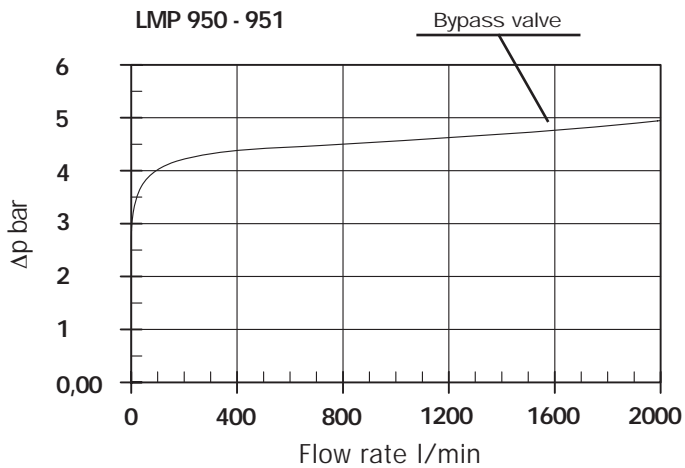
The curves are plotted utilising mineral oil with density of 0.86 kg/dm<sup>3</sup> to ISO 3968.

$\Delta p$  varies proportionally with density.



## Valves

### Bypass valve pressure drop

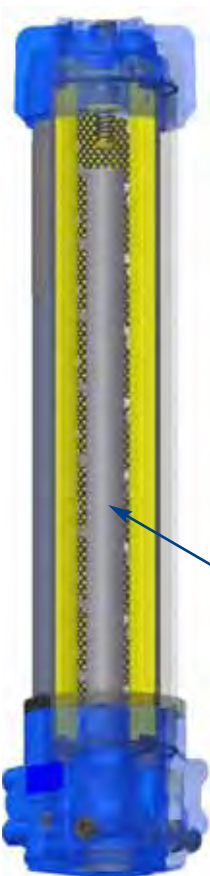


### Recommended maximum flow rate

- Pressure drop of filter assembly equal to  $\Delta p$  0.6 bar.
- Oil kinematic viscosity 30 mm<sup>2</sup>/s (cSt).
- Density 0.86 kg/dm<sup>3</sup>.

Filter element type	Flow rate l/min Series N	Filter length	Connections	
A03	550	2	Flange SAE 3000 3"	
A06	650			
A10	800			
A16	1000			
A25	1200			
M25	1700			
A03	950	3		Flange SAE 3000 3"
A06	1000			
A10	1200			
A16	1350			
A25	1400			
M25	1700			
A03	550	2	Flange SAE 3000 4"	
A06	700			
A10	850			
A16	1100			
A25	1400			
M25	2300			
A03	1000	3		Flange SAE 3000 4"
A06	1100			
A10	1400			
A16	1600			
A25	1800			
M25	2400			

### Option P02 for LMP 950/951



Option P02 "Internal tube for reduced flow rate" recommended for flow rate values below 100/150 l/min. The use of option P02 makes it easier to fill the housing with the operating fluid.

P02 "Internal tube for reduced flow rates"

### Recommended maximum flow rate

The recommended maximum flow rate for filters installed on lubrication lines, return or in-line filters is defined by the oil maximum velocity in the connections. Recommended maximum flow rate for Off-Line filters is defined by the filter element pressure drop.

Filter for pressurised lubrication, max. oil velocity 2.5 m/sec.  
Return or in-line filter, max oil oil velocity 5 m/sec.

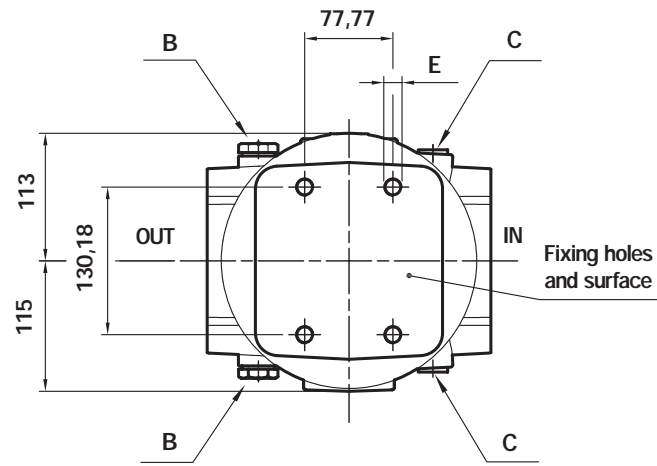
Oil velocity	Connections	
	3"	4"
2,5 m/sec.	750	1200
5 m/sec.	1500	2400

Flow rate l/min.

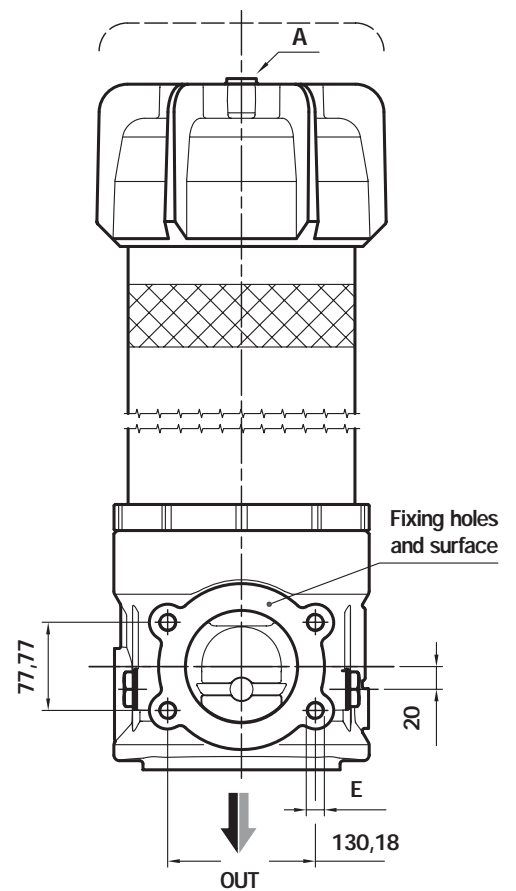
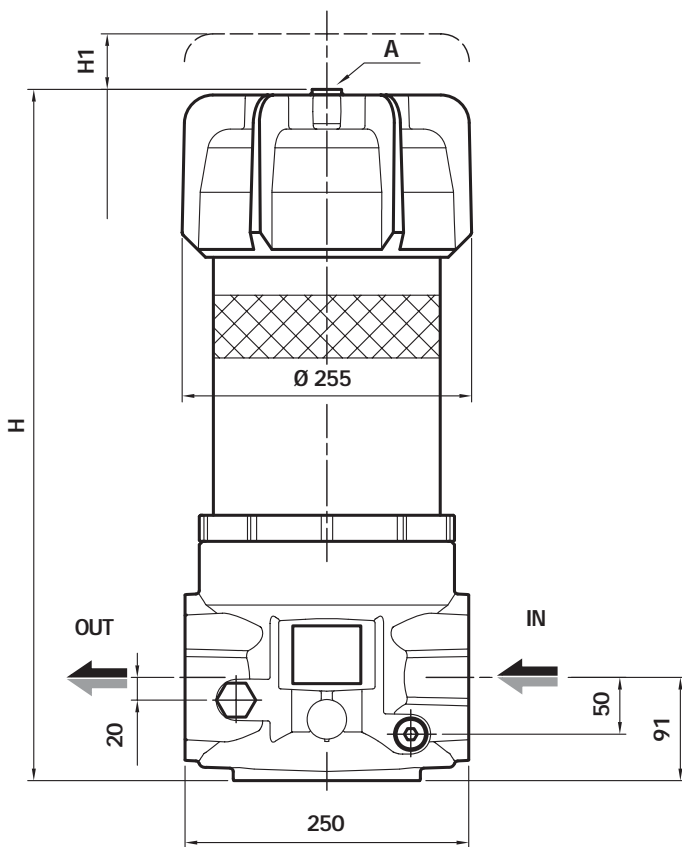
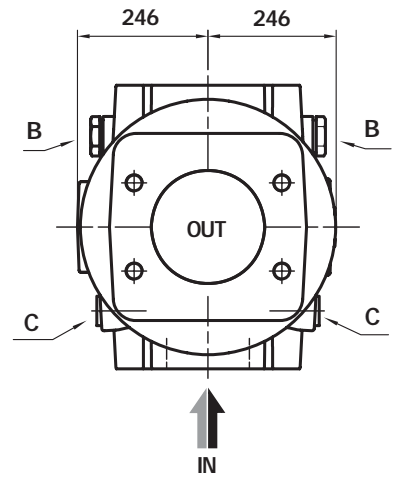
Off-Line filter, the recommended maximum pressure drop of exclusively the filter element must be equal to  $\Delta p$  0.2 ÷ 0.3 bar.

# Dimensions

## LMP 950



## LMP 951



Flanged IN/OUT connections

E  
Depth 25 mm

3" SAE 3000 psi/M	M16
4" SAE 3000 psi/M	M16
3" SAE 3000 psi/UNC	5/8" UNC
4" SAE 3000 psi/UNC	5/8" UNC

Filter length	H mm	H1 mm
2	680	350
3	1230	900

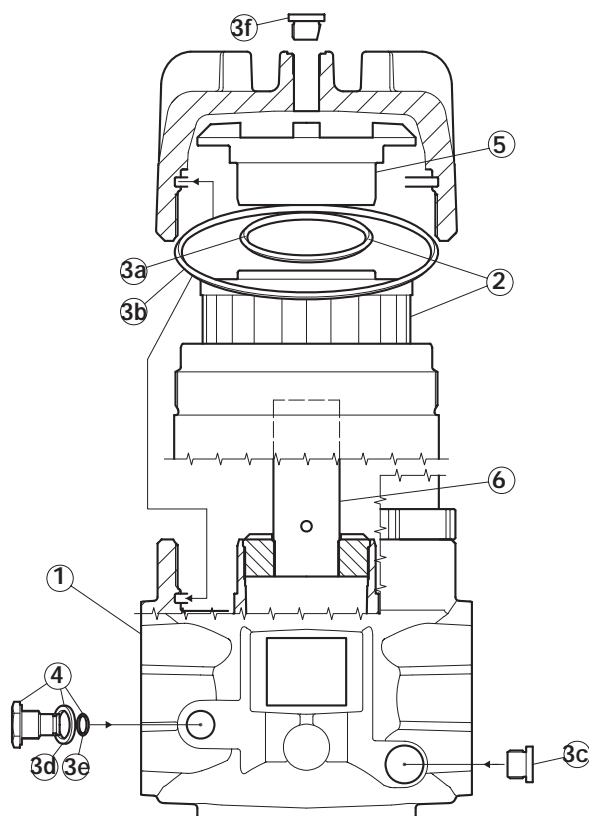
A Breather plug - G 1/2" - Ch. 10

B Indicator connection - Plug T2 - Ch. 30

C Oil drain plug - G 1/2" - Ch. 10

# LMP 950/951 spare parts

## Length 2 - 3



Pos.	Description	Qty	FILTER Series LMP 950/951 2 - 3	
1	Filter assembly	1	See order table	
2	Filter Element	1	See order table	
3	Seals kit	1	NBR 02050367	FPM 02050368
3a	Filter element O-Ring	2	OR 4412 Ø 104,37 x 3,53	
3b	O-Ring for housing	2	OR 6745 Ø 189,86 x 5,33	
3c	Oil drain plug	2	G 1/2" with seal	
3d	Bonded seal	2	01030058	01030046
3e	O-Ring	2	OR 2050 Ø 12,42 x 1,78	
3f	Breather plug	1	01029444	
4	Indicator connection plug LMP 950/951	2	T2H	T2V
5	Housing spigot	1	Spigot without By-pass 01044106 Spigot with By-pass 02001379	
6	Tube assembly	1	x L. 2 02025032 x L. 3 02025033	
-	Indicator	1	See order table	

# LMP950/951 ordering information

## Filter assembly LMP

Example: LMP

1	2	3	4	5	6	7	8 a
□	□	□	□	□	□	□	□
950	2	B	A	F1	A10	N	P01

## Filter Element CU 950

Example: CU950

2	6	4	7	8b
□	□	□	□	□
2	A10	A	N	P01

### 1 - Sizes

950	LMP950 (in-line IN-OUT)
951	LMP951 (90° IN-OUT)

### 2 - Filter length

2
3

### 3 - Valves

S	Without by-pass
B	With by-pass

### 4 - Seals

A	NBR
V	FPM

### 5 - Connections

Type

F1	3" SAE 3000 PSI/M
F2	3" SAE 3000 PSI/UNC
F3	4" SAE 3000 PSI/M
F4	4" SAE 3000 PSI/UNC

### 6 - Filter element

A03	3 µm	A16	16 µm	Absolute filtration Inorganic microfibre Bx (c) ≥ 1000 see page 9
A06	6 µm	A25	25 µm	
A10	10 µm			
M25	25 µm	M90	90 µm	Nominal Filtration Metal mesh see page 9
M60	60 µm			

### 7 - Filter elements series

N	Δp 20 bar
W	Δp 20 bar (aqueous emulsions - water and glycol)

### 8 - Options

#### a - Filters

P01	MP Standard filter
P02	With internal tube for reduced flow rate
Pxx	Customer request

#### b - Filter elements

P01	MP Standard filter
Pxx	Customer request

DIFFERENTIAL INDICATORS (see page 12)

**MP Filtri** - The filter functions as described in this bulletin are valid exclusively for original MP Filtri filter elements and replacement parts. All rights reserved

The data in this publication are purely guideline. MP Filtri reserves the right to make changes to the models described herein at any time it deems fit in relation to technical or commercial requirements. The colours of the products shown on the cover are purely guideline. Copyright. All rights reserved.